

60ft Diesel Stick Boom

PERFORMANCE*

Platform Height E/M600JP	18.29 m
Horizontal Outreach E/M600JP	13.11 m
Swing (non-continuous)	400°
Platform Capacity	230 kg
Platform Rotator (hydraulic)	180°
Weight E/M600JP	7,705 kg
Jib – Overall Length E/M600JP	1.24 m
Jib – Range of Rotation E/M600JP	180°
Jib – Range of Articulation E/M600JP	145° (+89°/-56°)
Drive Speed E/M600JP	4.8 km/h
Gradeability E/M600JP 2WD	30%
E/M600JP 4WD	45%
Inside Turning Radius E/M600JP	1.23 m
Outside Turning Radius E/M600JP	4.65 m

STANDARD SPECIFICATIONS*

Power Source

Electrical System	48V DC
Batteries	8 x 6V, 415 AH
Drive Motors	Dual Electric Traction – Brushless AC
Generator Set (M Models)	
Diesel Engine Kubota 45 amp	4.99 kW
Fuel Tank Capacity	49.21 L

Hydraulic System

Capacity	56.78 L
Motor/Pump	Series Wound Motor/Gear Pump

Tyres

E/M600JP	36/14 LL-22.5 Foam-filled Non-marking
----------	--



STANDARD FEATURES*

- 1.83 m Vertical and Lateral Articulating Jib
- Brushless AC Motors
- Operator Tool Tray
- Inward Self-closing Self-locking Swing Gate
- Platform Console Machine Status Light Panel*
- Tilt Light and Alarm
- Hourmeter
- Battery Condition Indicator
- Lifting/Tie-down Lugs
- 400° Non-continuous Rotation
- Removable Battery Box
- Oscillating Axle
- Manual Descent
- Automatic Traction Control (ATC)
- SCR Automatic Battery Charger
- All-motion Alarm
- Flashing Amber Beacon
- SkyGuard® Enhanced Control Panel Protection
- Cylinder Bellows

*Provides indicator lights at platform control console for system distress, fuel level, low fuel, 3° tilt light and foot switch status.

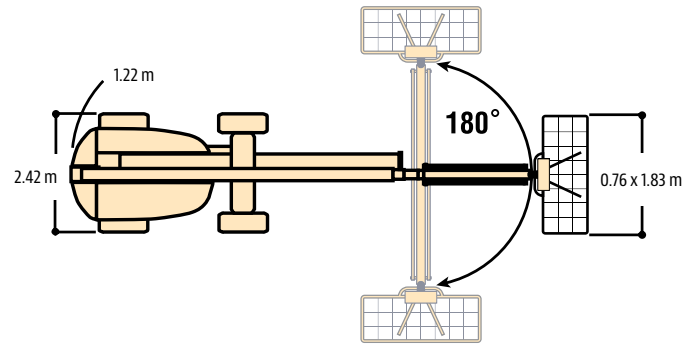
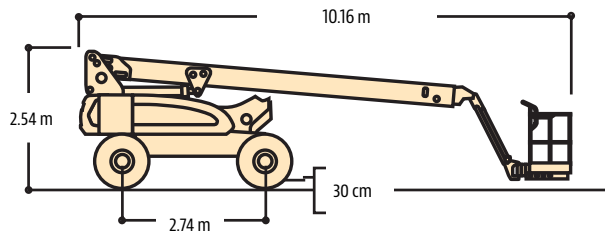
ACCESSORIES & OPTIONS

- Mesh to Mid Rail
- 1/2 in. Air Line to Platform
- Squawker/White Noise Motion Alarm
- Platform Worklights
- AC Outlet to Platform, Including ELCB

60ft Diesel Stick Boom

Dimensions

All dimensions are approximate.



Reach Dimensions

