

86ft Diesel Stick Boom

PERFORMANCE*

Platform Height		26.21 m
Working Height		28.21 m
Horizontal Outreach		22.86 m
Swing		360 Degrees Continuous
Platform Capacity	Restricted	340 kg
	Unrestricted	230 kg
Platform Size		0.91 x 2.44 m
Platform Rotator		180 Degrees Hydraulic
Jib Length		1.83 m
Jib Range of Articulation		130 Degrees (+70, -60)
Weight		16,900 kg
Drive Speed		5.6 km/h
Gradeability		45%
Turning Radius	Inside	3.80 m
	Outside	6.02 m

STANDARD SPECIFICATIONS*

Power Source

Diesel Engine	Deutz D2011 L04
Fuel Tank Capacity	117.3 L

Hydraulic Reservoir

• Hydraulic Reservoir	151.42 L
• Auxiliary Power	12V-DC

Tyres

- Standard Non-marking Foam-Filled

STANDARD FEATURES*

- 4 Wheel Hydrostatic Drive
- SkyGuard® SkyLine
- 180 Degree Hydraulic Platform Rotator
- Platform Console Machine Status Light Panel*
- SkyPower - AC Generator including AC Outlets to Platform including ELCB
- 4 Degree Tilt Alarm/Indicator Light
- Swing Out Engine Tray
- 12V-DC Auxiliary Power
- Hourmeter
- Proportional Controls
- Control ADE® System
- Lifting/Tie Down Lugs
- Gull Wing Hoods
- Horn
- Oscillating Axle
- Operator Tool Tray
- Inward Self-Closing Swing Gate
- Flashing Amber Beacon
- Load Sensing System
- Fuel Gauge
- Motion Alarm
- Glow Plugs (Diesel Engines)

*Provides indicator lights at platform control console for system distress, low fuel, 4 degree tilt light, and foot switch status.



ACCESSORIES & OPTIONS

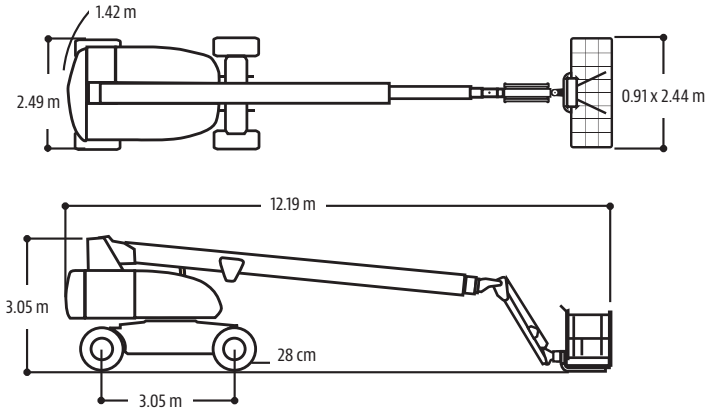
- 0.91 x 1.83 m Platform
- 1/2 in. Air Line to Platform
- White Noise (Squawker) Alarm
- Mesh to Mid Rail
- Fire Extinguisher
- Light Package
- Platform Worklights
- Special Hydraulic Oils
- Spark Arresting Muffler
- Accessory Packages
- SkyGlazier® Package
- PipeRack
- ClearSky
- SkySense

Note: Some options may increase lead time, and some option combinations may not be available.

86ft Diesel Stick Boom

Dimensions

All dimensions are approximate.



Reach Diagrams

